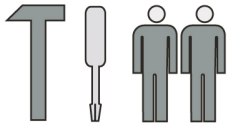
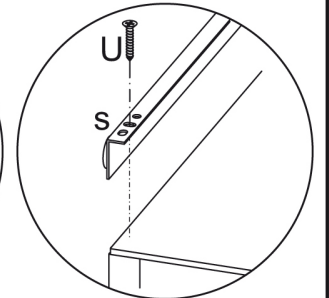
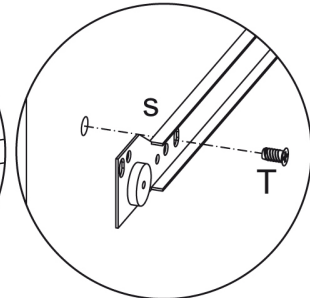
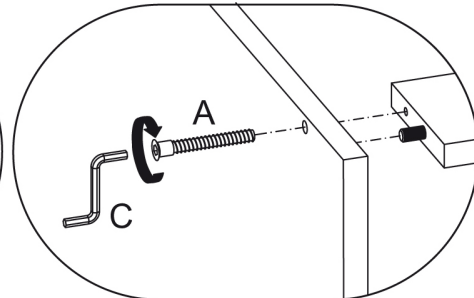
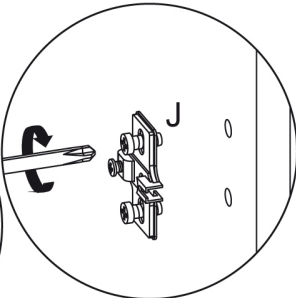
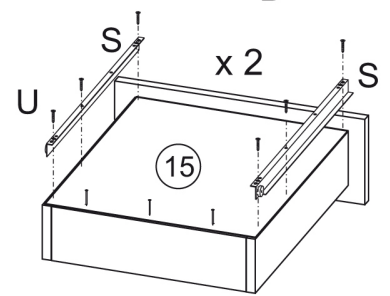
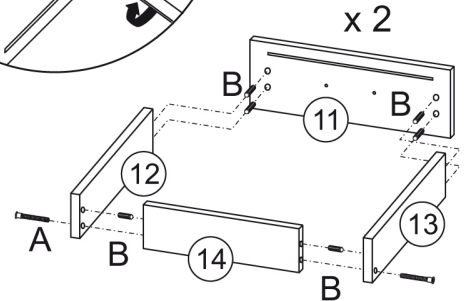
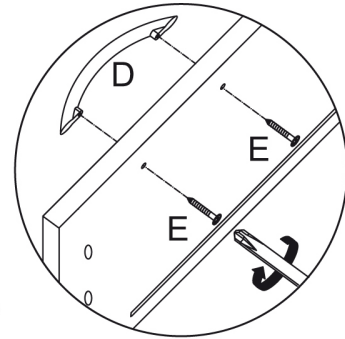
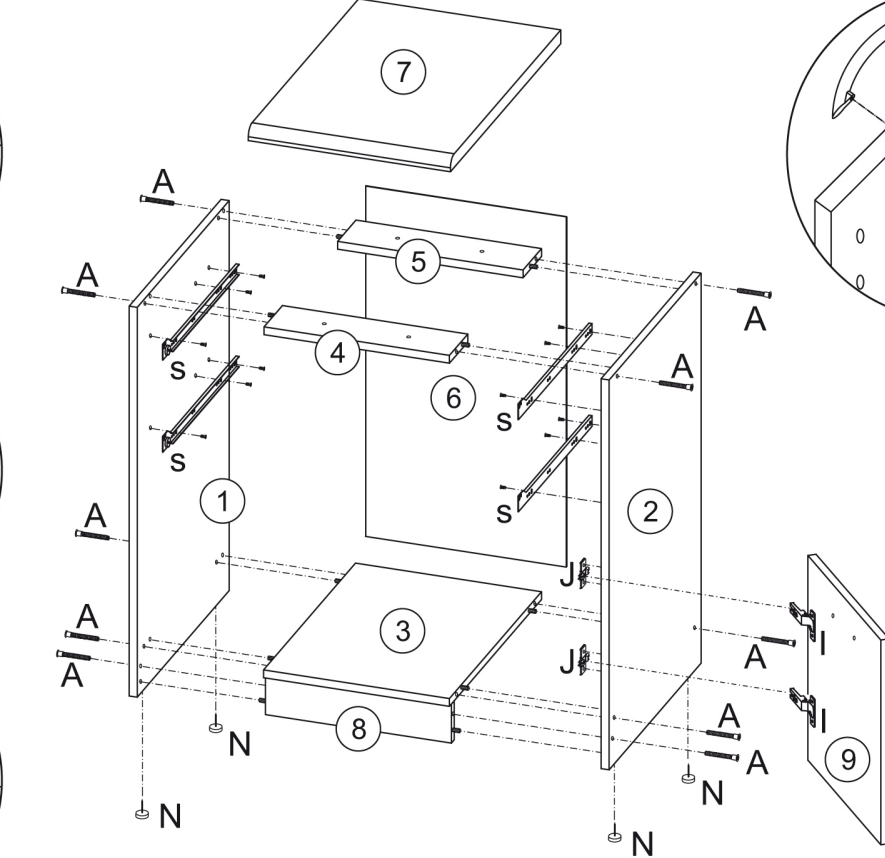
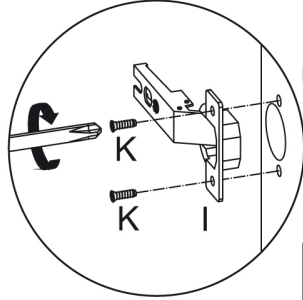
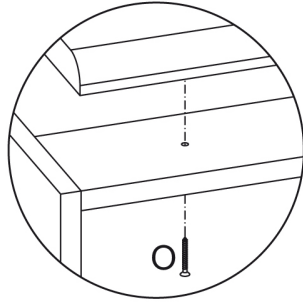
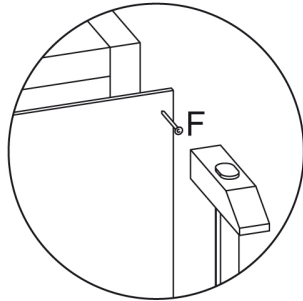
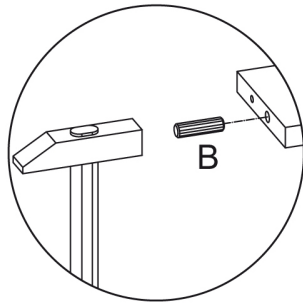


40 Down 2 Drawers



14	22	1	3	6	~25	2	2	4	4	4	2	12

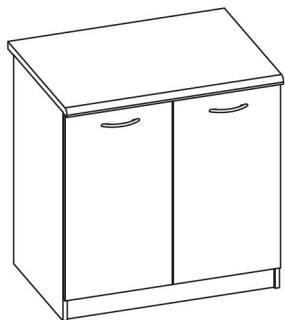
12



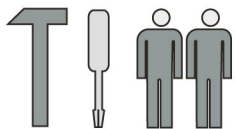
No packer:

Dear Customer.

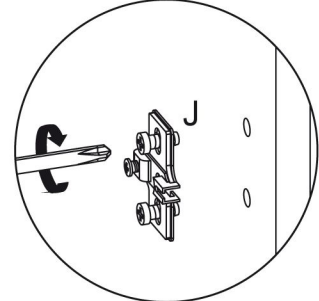
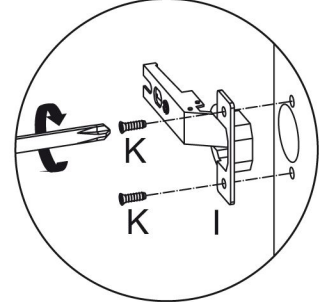
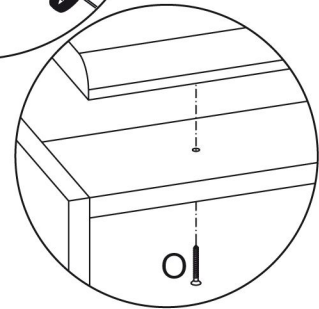
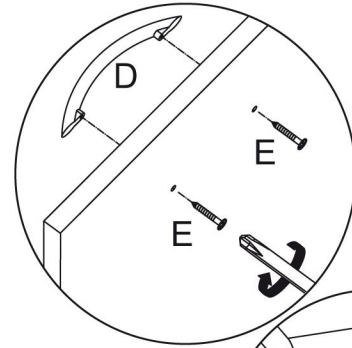
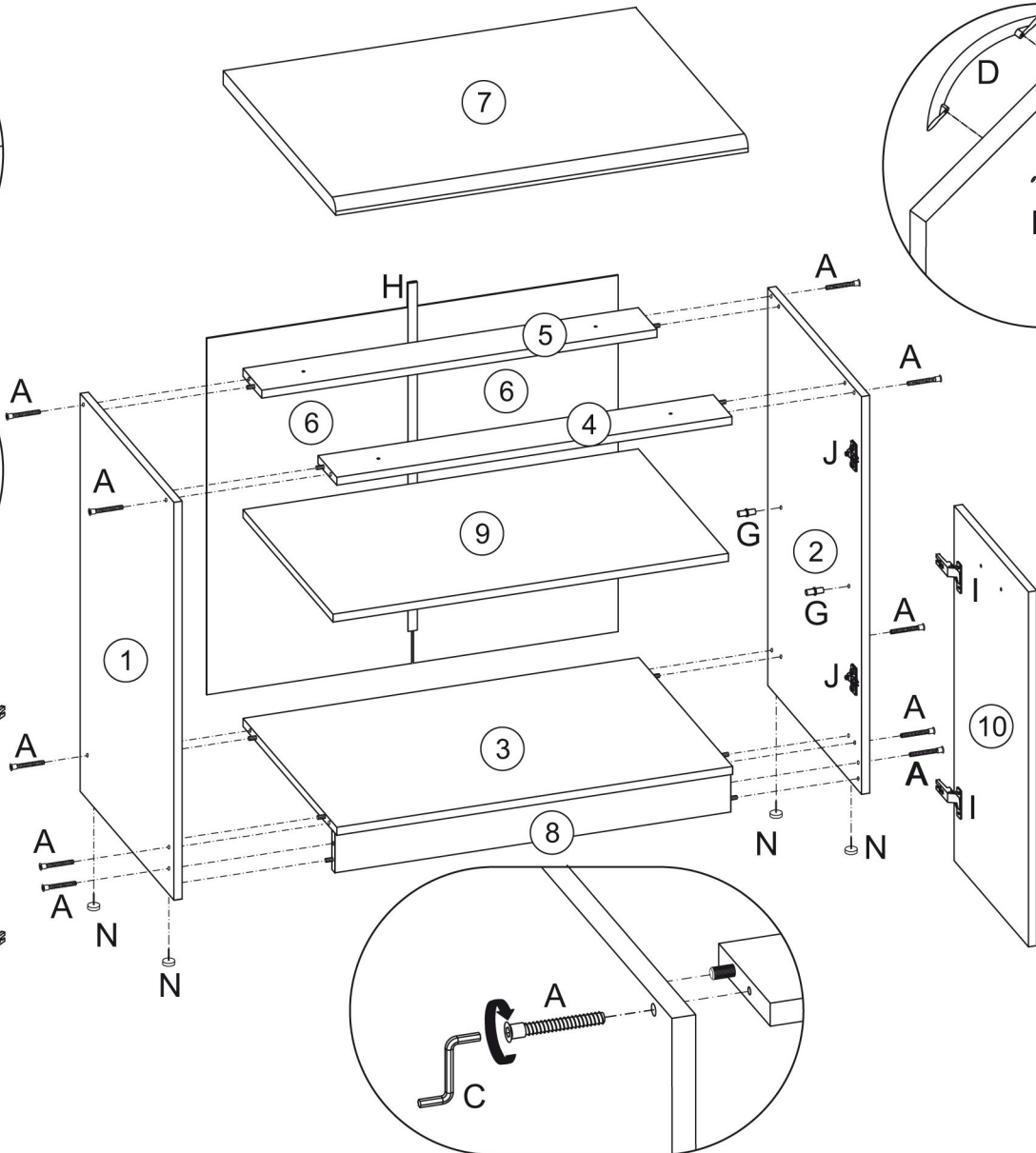
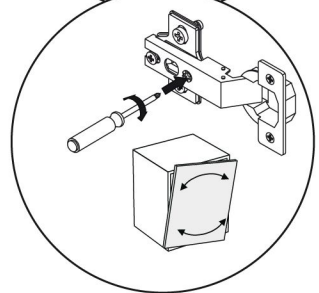
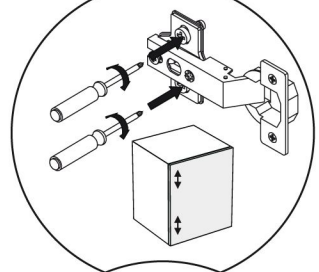
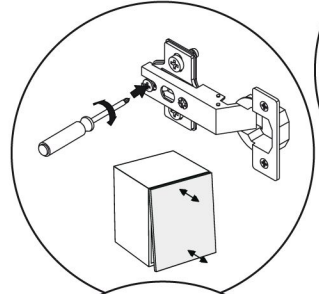
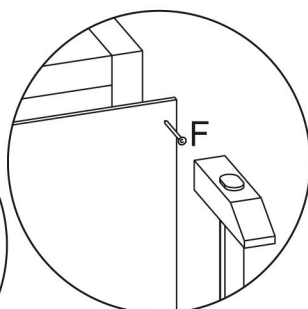
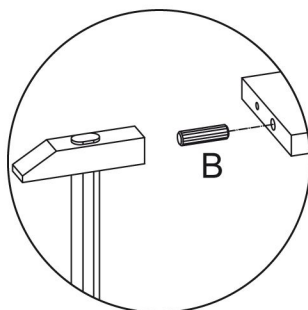
We regret to inform you, that in time complaint please give No packer and No missing and spoil element.



80 Down

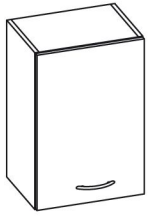


10	10	1	2	4	~20	4	1	4	4	8	4	4

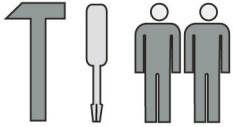









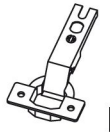


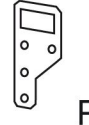

No packer:

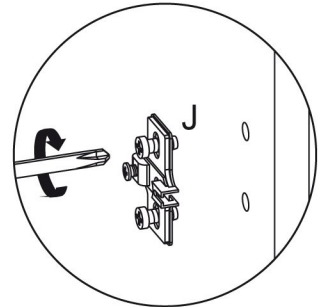
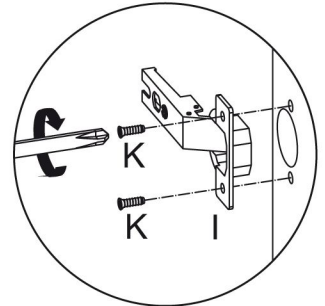
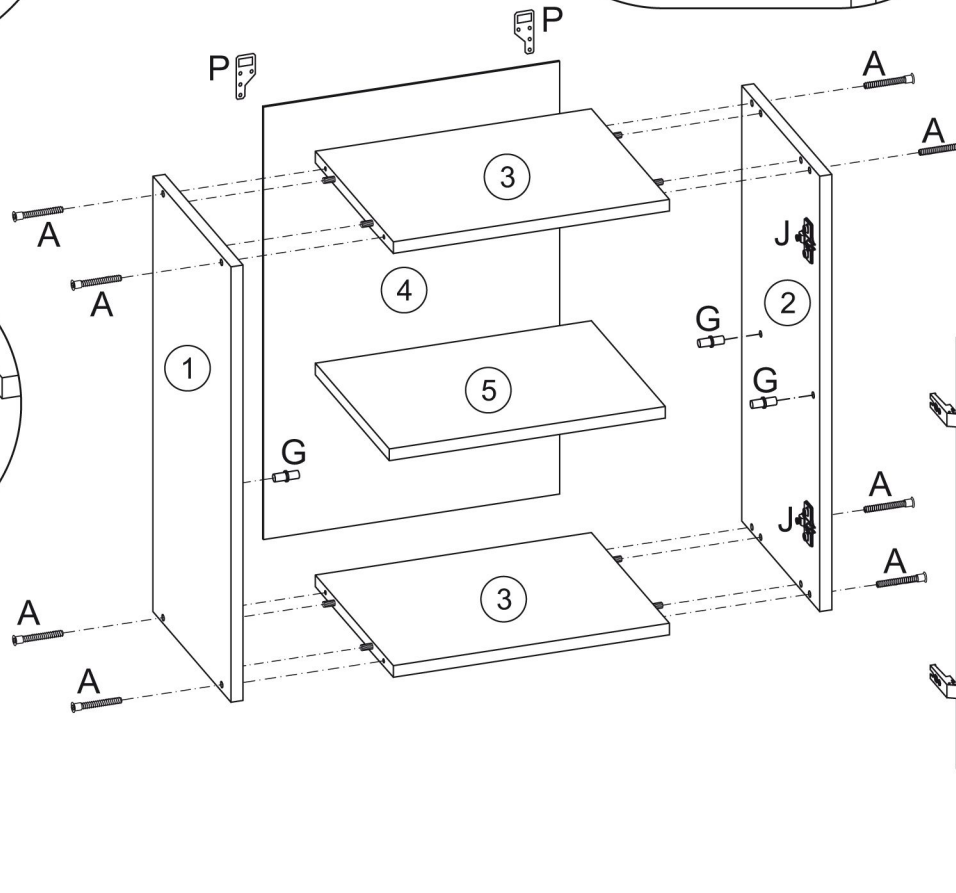
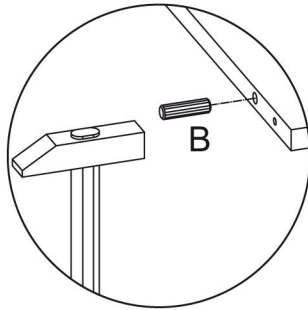
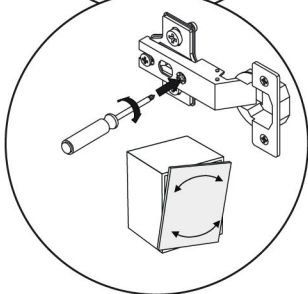
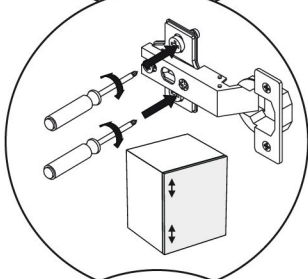
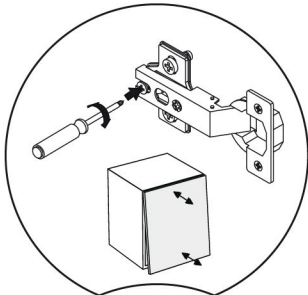
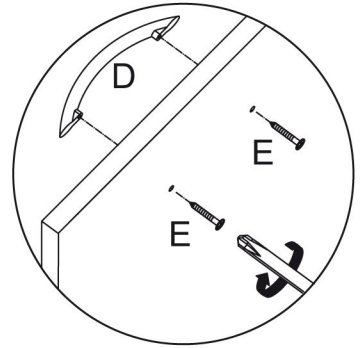
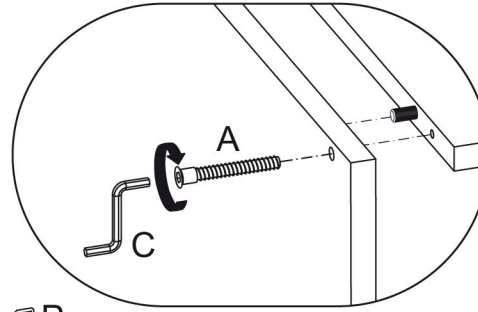
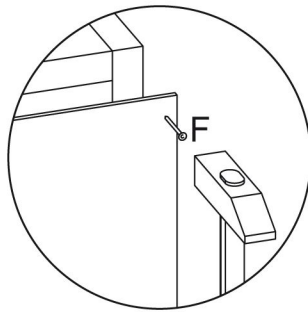
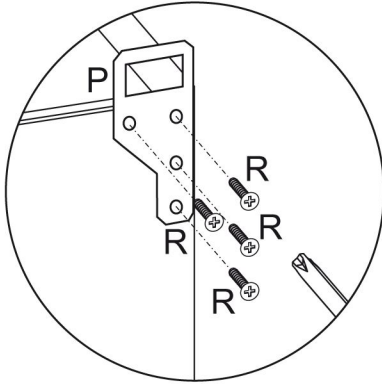
Dear Customer.
We regret to inform you, that in time complaint please give No packer and No missing and spoil element.



40 Up



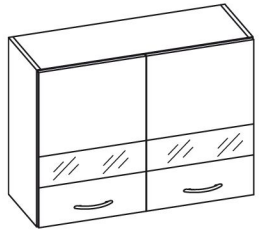
											
8	8	1	1	2	~20	4	2	2	4	2	8



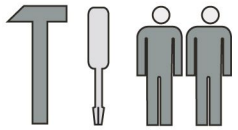
No packer:











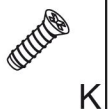
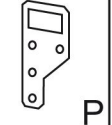

Dear Customer.

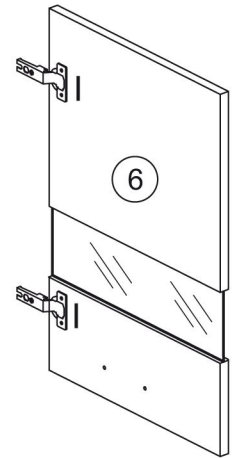
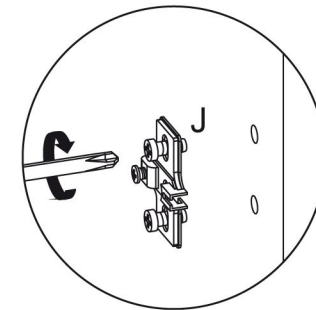
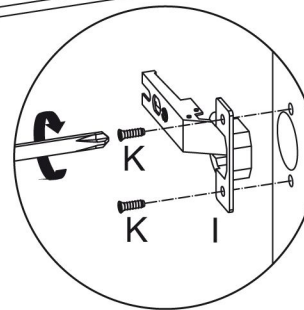
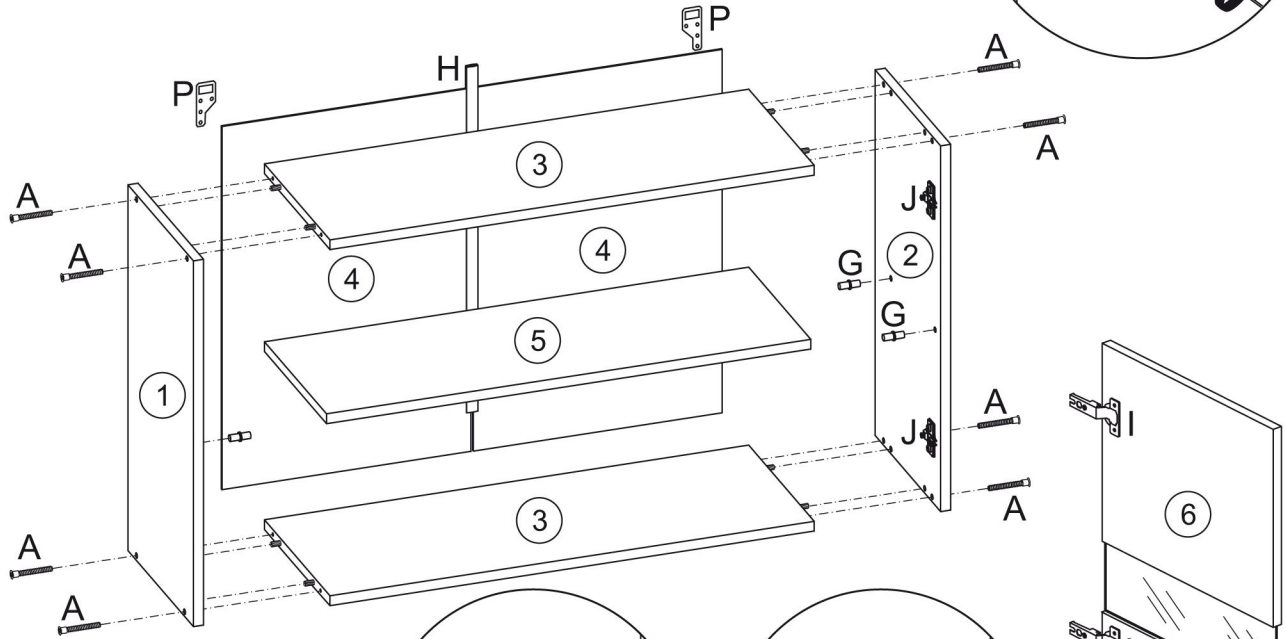
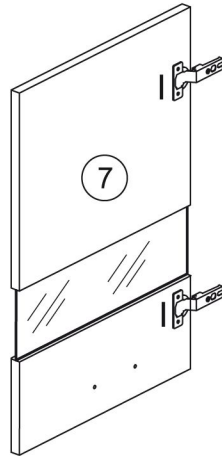
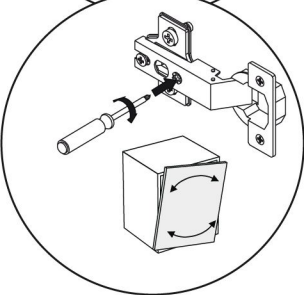
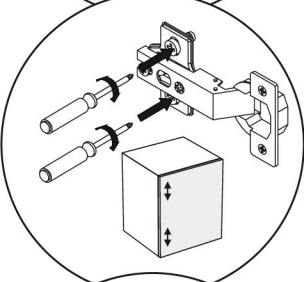
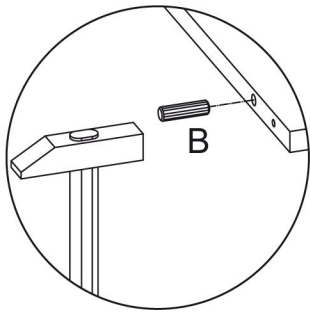
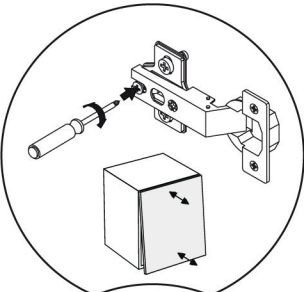
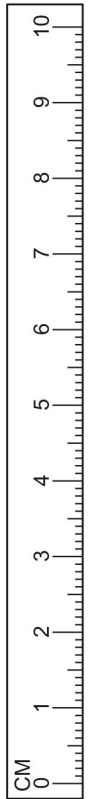
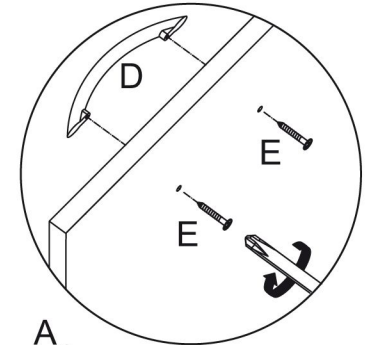
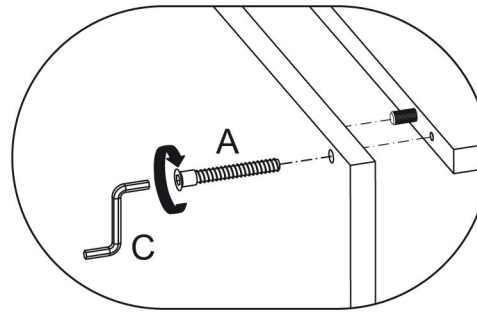
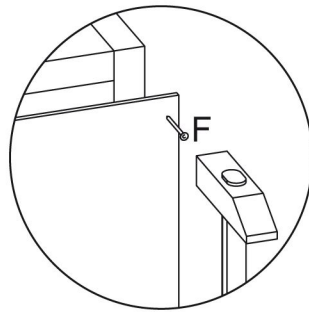
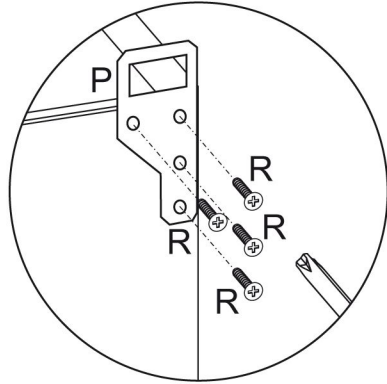
We regret to inform you, that in time complaint please give No packer and No missing and spoil element.



80 Up Glass-Case



 A 8	 B 8	 C 1	 D 2	 E 4	 F ~20	 G 4	 H 1	 I 4	 J 4	 K 8	 P 2	 R 8
--	--	--	--	---	--	--	--	--	--	--	--	--



No packer:

Dear Customer.

We regret to inform you, that in time complaint please give No packer and No missing and spoil element.